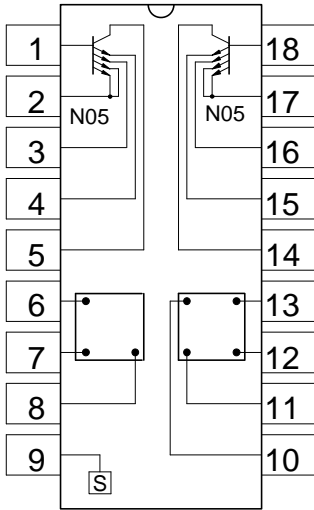
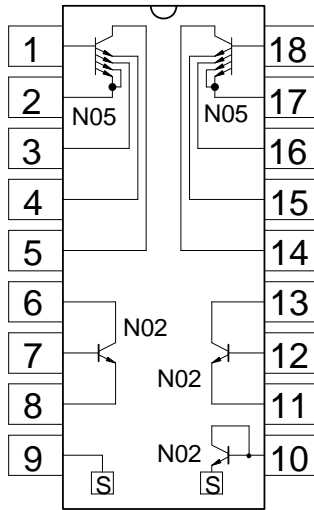


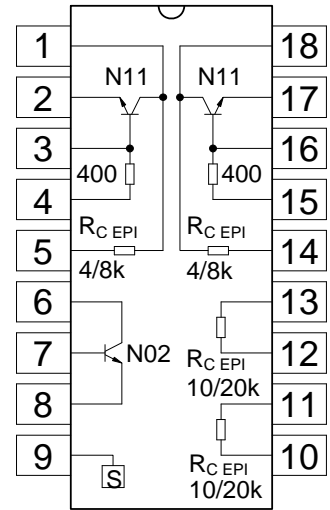
Blockdiagram of Bipolar Kitparts



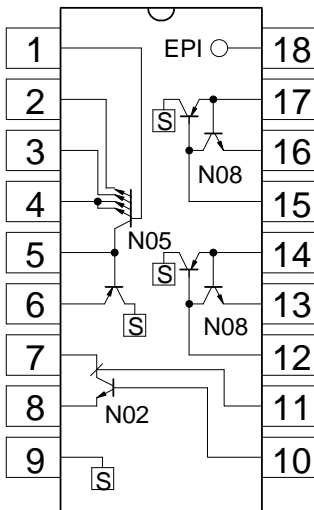
C3A001 / C4C001



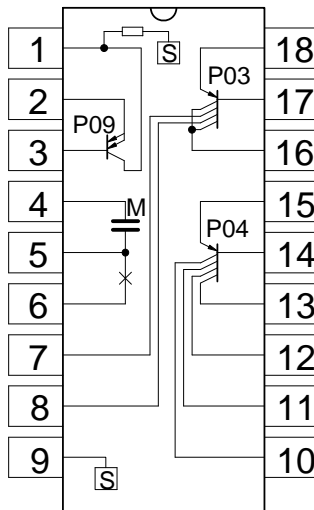
H3U001



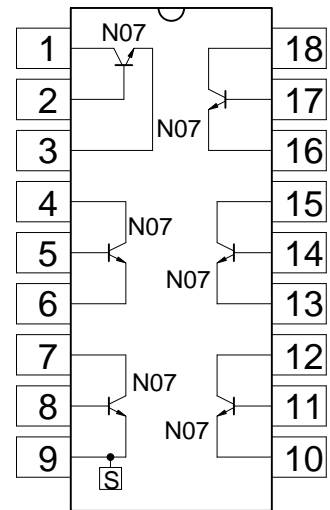
C3A002 / C4C002



C3A003 / C4C003



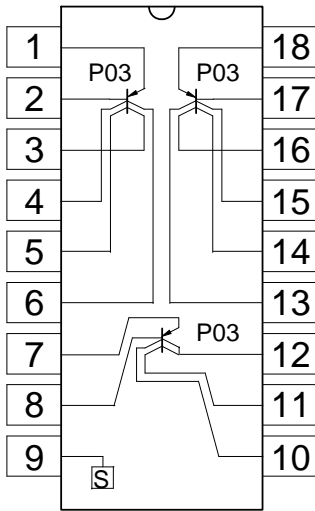
C3A004 / C4C004



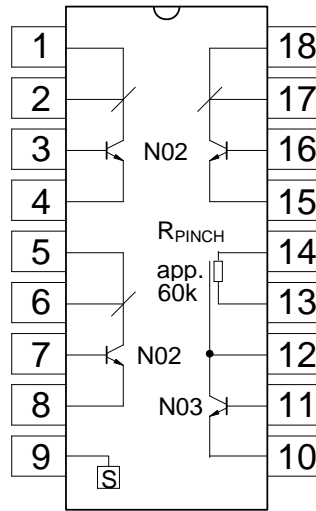
C3A005 / H3A005 / C4C005

S : connect to the most negative potential
 EPI : connect to the most positive potential

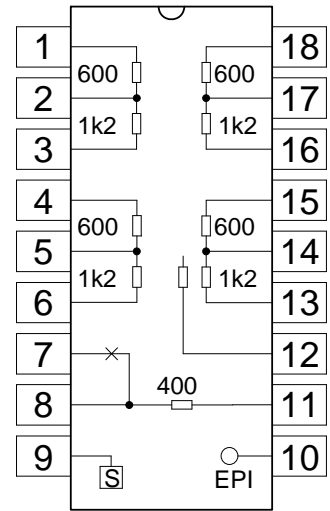
Detailed datasheets are available. Please contact us.



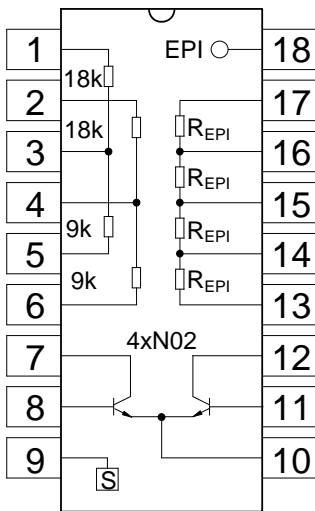
C3A006 / H3U006 / C4C006



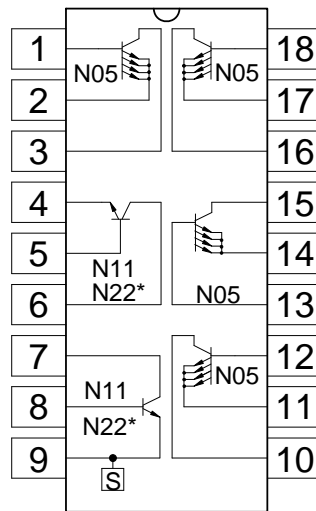
C3A007 / H3U007 / C4C007



C3A008



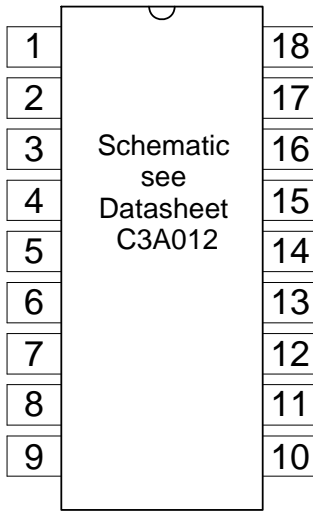
C3A009



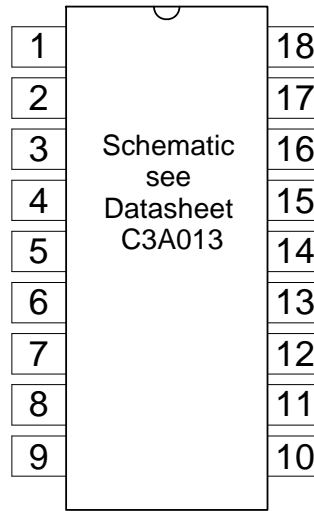
C3A010 / H3U010 / C4C010
* H3U: N22, C3 / C4: N11

S : connect to the most negative potential
EPI : connect to the most positive potential

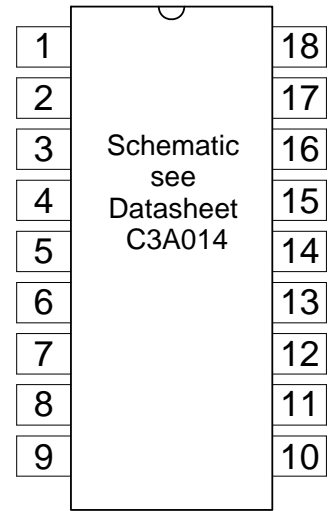
Detailed datasheets are available. Please contact us.



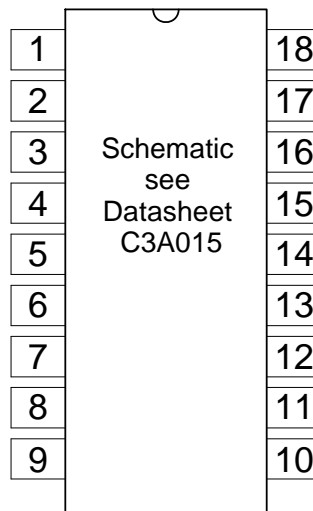
C3A012



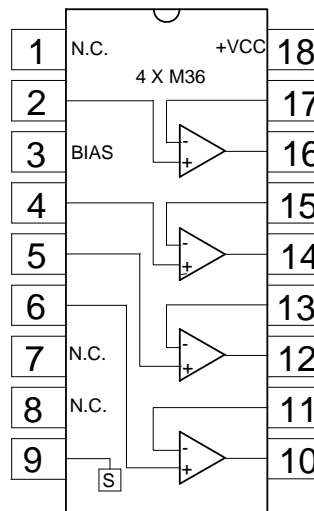
C3A013



C3A014

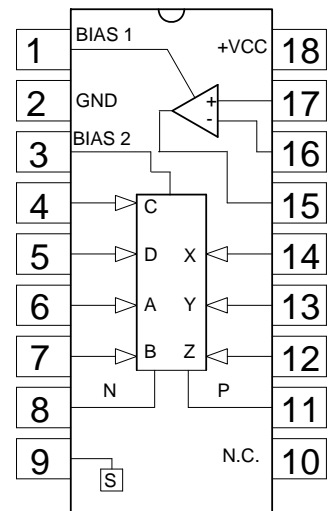


C3A015



C4C016

Schematic see Datasheet
C4C016

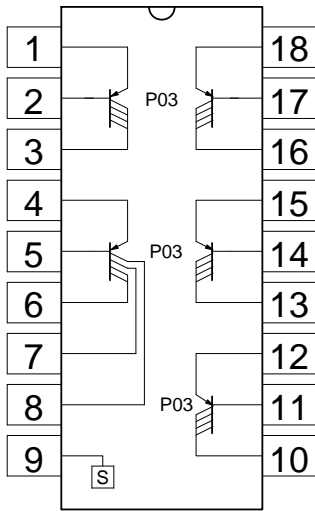


C4C017

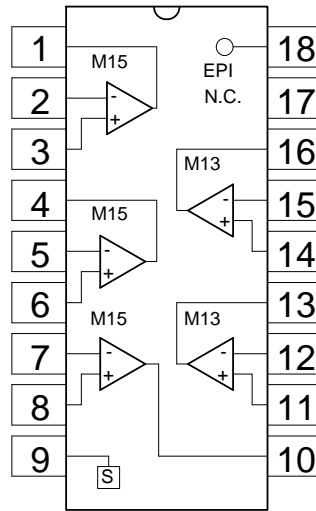
Schematic see Datasheet
C4C017

S : connect to the most negative potential
EPI : connect to the most positive potential

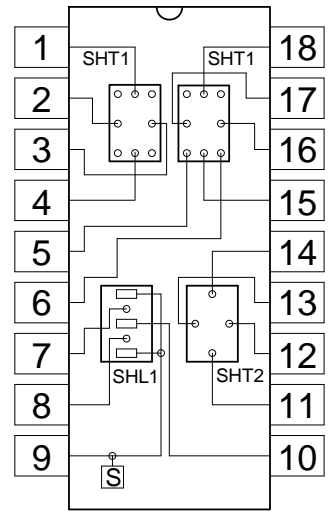
Detailed datasheets are available. Please contact us.



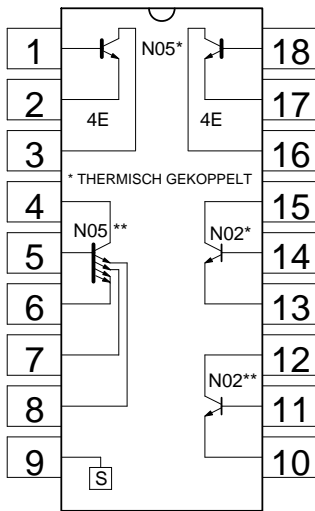
D3B018 / H3A018 / C4C018



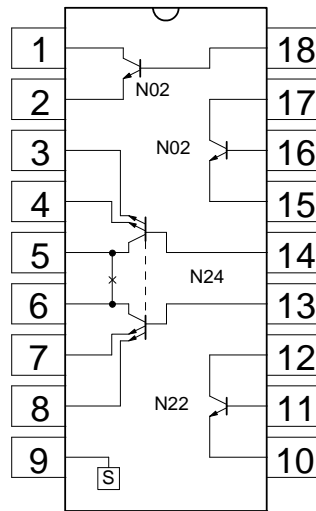
H3A020
Schematic see Datasheet
H3A020



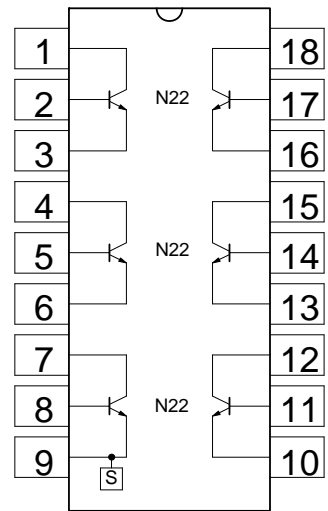
H3A021



H3A022



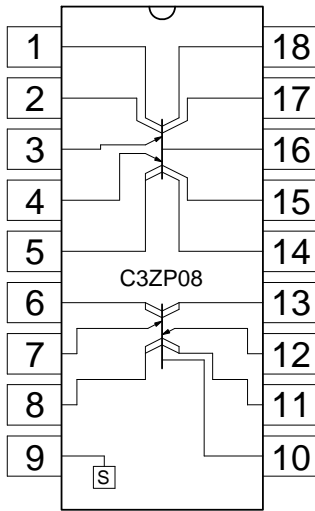
H3U034



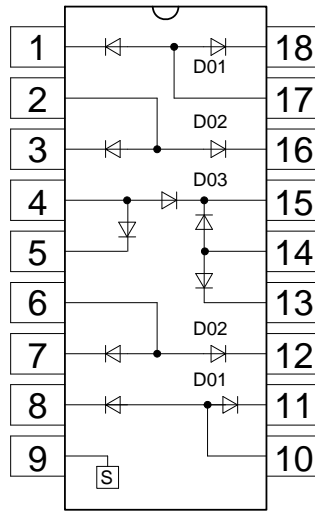
H3U035

S : connect to the most negative potential
EPI : connect to the most positive potential

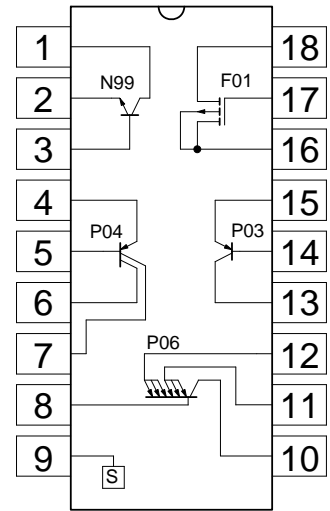
Detailed datasheets are available. Please contact us.



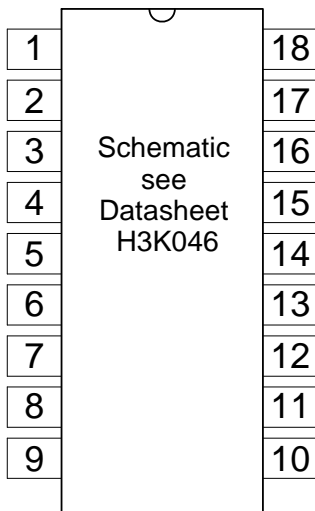
H3K036



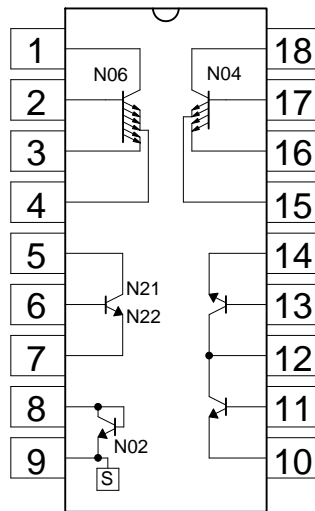
H3K037



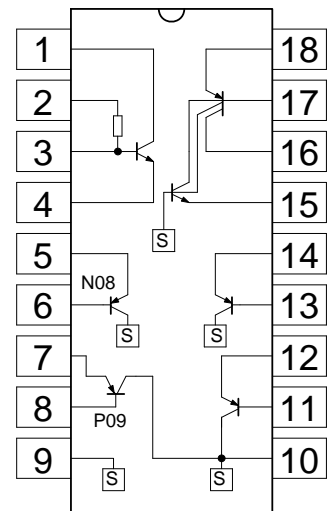
H3K038



H3K046



H3K047

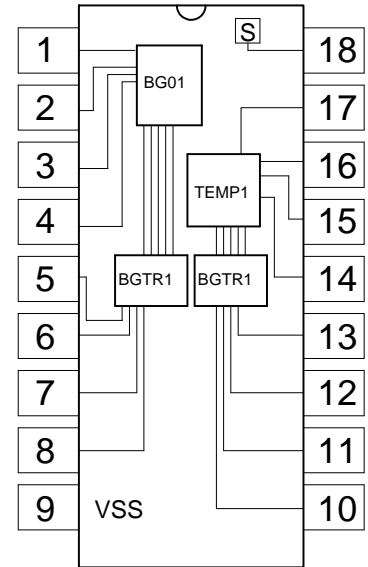
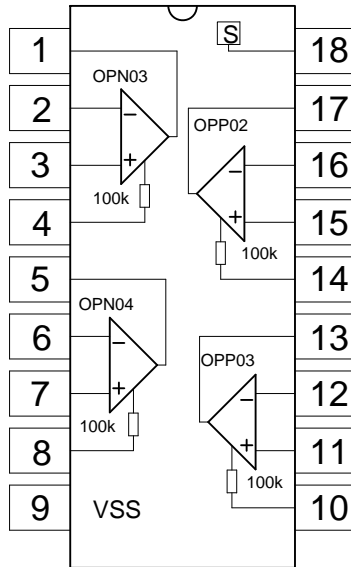
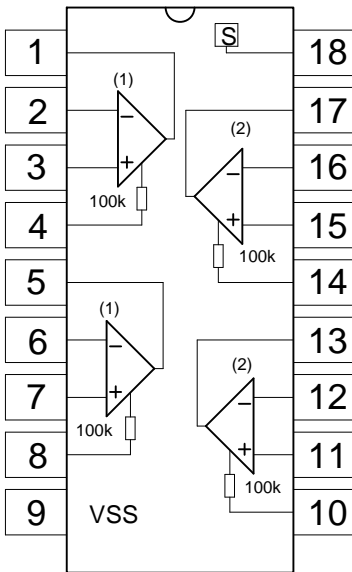


H3K048

S : connect to the most negative potential
 EPI : connect to the most positive potential

Detailed datasheets are available. Please contact us.

Blockdiagram of CMOS Kitparts

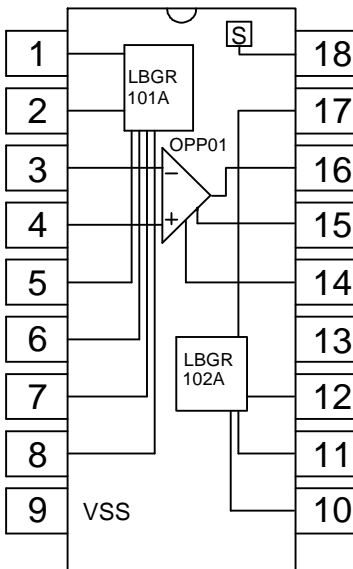


GX3030/ GX3031/ GX3032

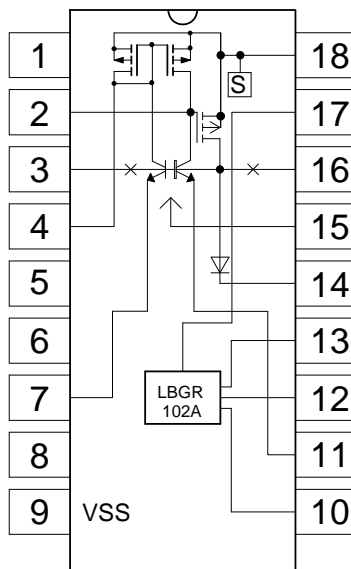
(1) = CMP01/ OPN02/ OPP01
(2) = LCMP01/ OPN01/ OPP10

GX3033

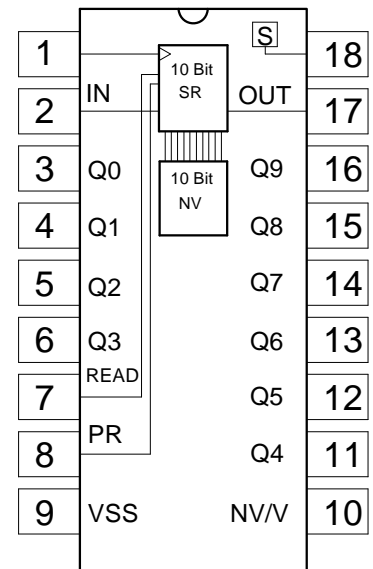
GX3035



GX3036



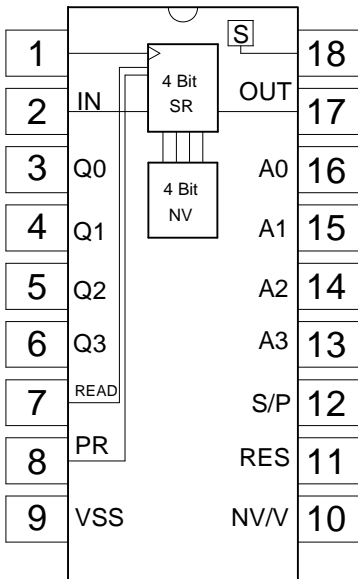
GX3037 *



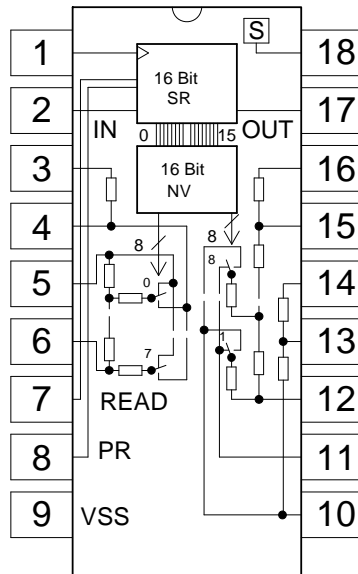
GX3040

* : ceramic package only

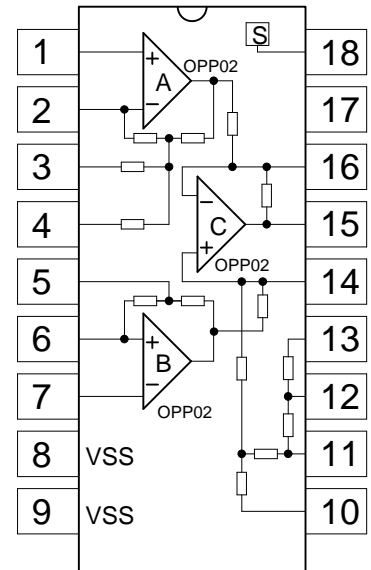
Detailed datasheets are available. Please contact us.



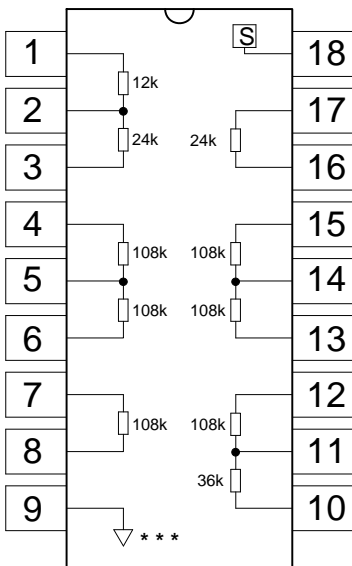
GX3041



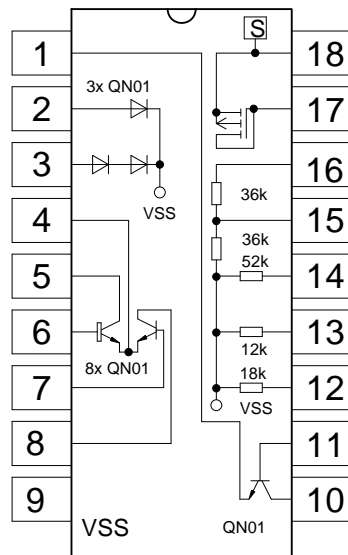
GX3045 / GX3046



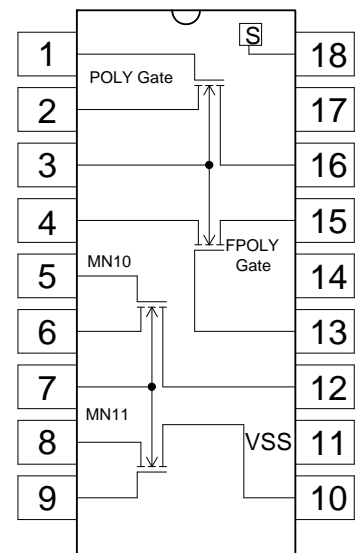
GX3050



GX3060



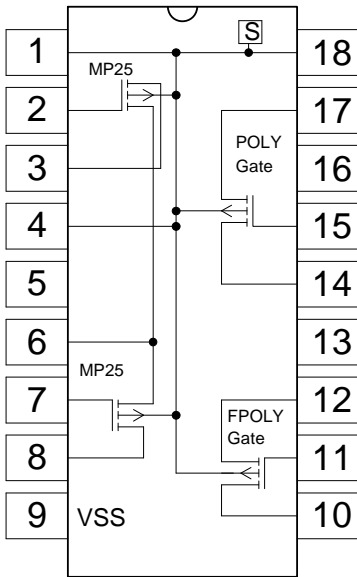
GX3070 *



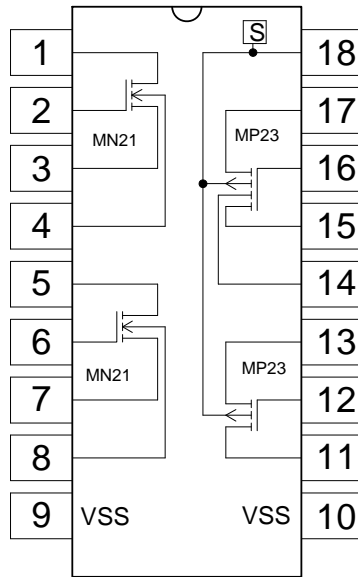
GX3071 *

* : ceramic package only
 *** : connect to PIN 18

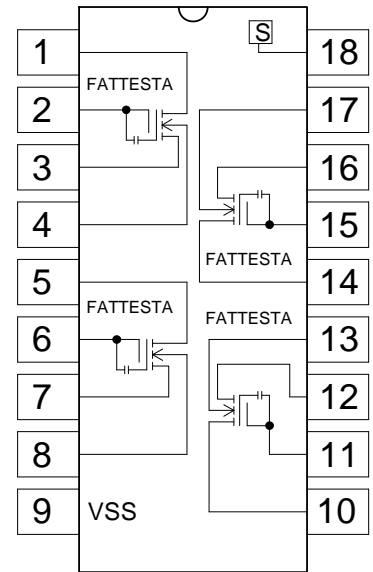
Detailed datasheets are available. Please contact us.



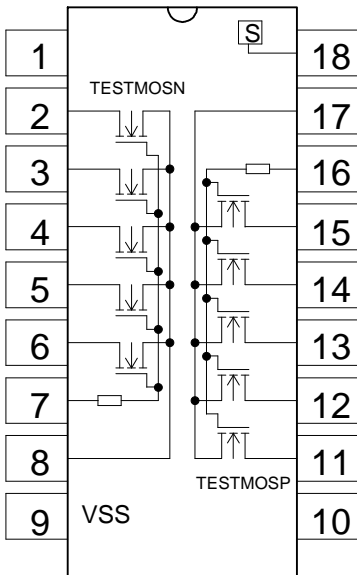
GX3072 *



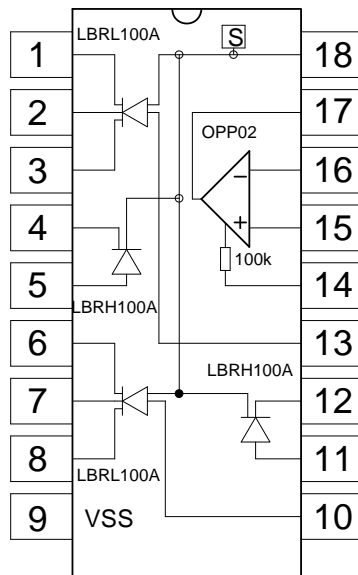
GX3073 *



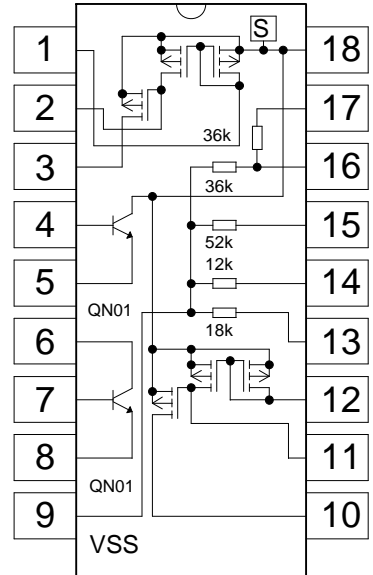
GX3074 *



GX3075 *



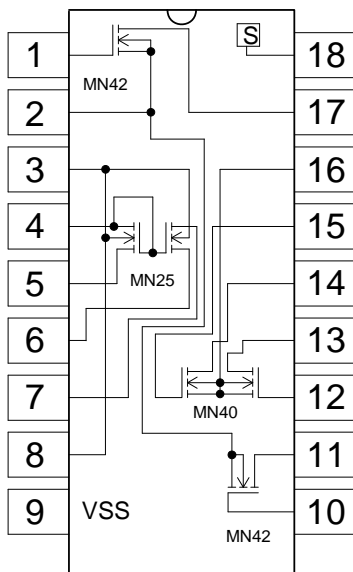
GX3076 *



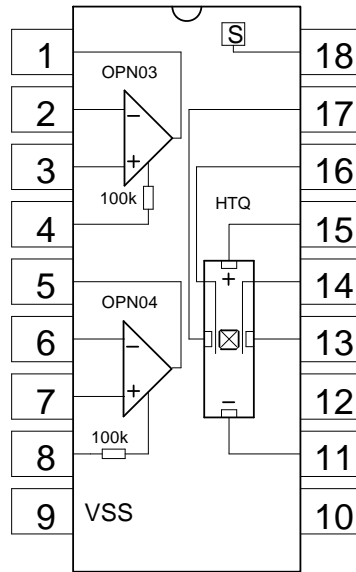
GX3077 *

* : ceramic package only

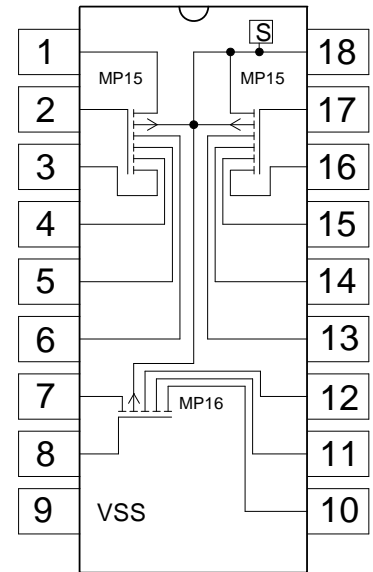
Detailed datasheets are available. Please contact us.



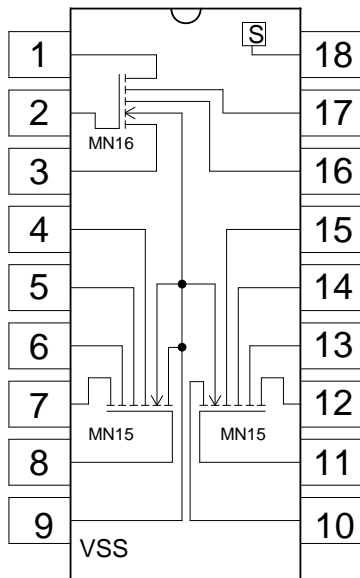
GX3079 *



GX3080



GX3086



GX3096

*** : ceramic package only**

Detailed datasheets are available. Please contact us.